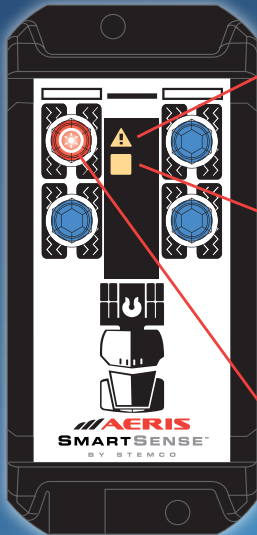


High Performance Automatic Tire Inflation System



Service Alert

- Identifies frequent offenders

Trip Alert

- Indicates a tire took air
- Resets on power up

Real-time LED Indicators

- Low flow
- High flow
- Highly visible

AERIS
SMARTSENSE™
BY STEMCO

- Saves fuel and extends tire life
- Superior reliability and durability
- Mechanic and DOT friendly
- Does not pressurize the wheel end
- Patented superior sealing technology
- Identifies which tire is taking air
- Fits single, tandem, and tri-axle configurations

Intelligent Transportation Systems

Aeris® by STEMCO is a high performance automatic tire inflation system that will keep your vehicles on the road while maximizing fuel economy and minimizing tread wear. The patented sealing system is designed for long life and low maintenance, and will not compromise the life of your wheel end components by pressurizing the wheelend.


STEMCO®

A Higher Standard of Performance.™

an EnPro Industries company

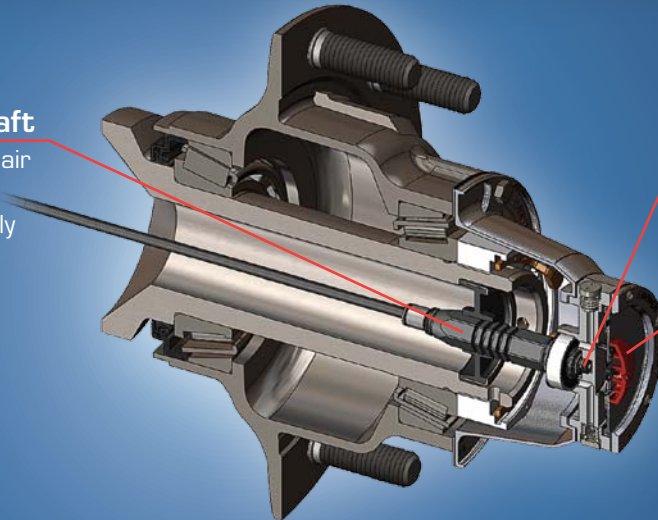
AERIS®

B Y S T E M C O

Inflation | Information | Solutions

Flexible Torque Shaft

- Isolates bearing and air seal from vibration
- Simplifies disassembly and reassembly for routine maintenance



Patented Air Seal

- Face seal technology is rugged, reliable and proven
- Long life
- Low maintenance

Integrated Sentinel

- Proven technology
- Standard with Aeris®
- Blocks moisture

AERIS SMARTSENSE™ BY STEMCO

SmartSense™ Tire Monitoring System

- Reduce time spent identifying low tires
- Identify problem tires with trailer disconnected
- Reduce retrofit installation times
- Monitors wheelends continuously!

The Aeris SmartSense™ option is a leap forward in technology reducing the time required diagnosing problem tires. The advanced SmartSense indicator lamp provides highly visible feedback to drivers about the condition of their tires and can even provide feedback after the trailer has been dropped in the yard and is without power!

PLATINUM PLUS 7 PERFORMANCE SYSTEM™ TIRE INFLATION

- Aeris® Automatic Tire Inflation System
- Guardian® HP or Discover® Seal
- Pro-Torq® Axle Fastener
- Sentinel® Hub Cap
- STEMCO® Bearings

**7 Year
Warranty**

Now get an industry best 7 year parts and labor warranty for your wheelend components by installing the Platinum Performance Plus System™ and the Aeris® high performance tire inflation system on your new trailers. Contact your participating trailer dealer or STEMCO sales manager to find out more about this outstanding package!

STEMCO - USA
P.O. Box 1989 · Longview, TX 75606-1989
(903) 758-9981 · 1-800-527-8492 · FAX: 1-800-874-4297
www.stemco.com

STEMCO - Canada
5650 Timberlea Blvd. Unit B, Mississauga, ON L4W 4M6
(905) 206-9922 · 877-232-9111
FAX: 877-244-4555

STEMCO - Australia
Unit 6 CNR Rookwood & Muir Roads · Yagoona NSW 2199
Phone: 011-61-2-8713-2502 · FAX: 011-61-2-9793-2544
ISO/TS 16949

STEMCO and Aeris by Stemco are registered trademarks of STEMCO LP and Aeris SmartSense is a trademark of STEMCO LP ©2014 STEMCO LP
Printed in the USA · Part No. 571-3086 · Rev. 3/14




STEMCO®

A Higher Standard of Performance.™

an EnPro Industries company

www.stemco.com